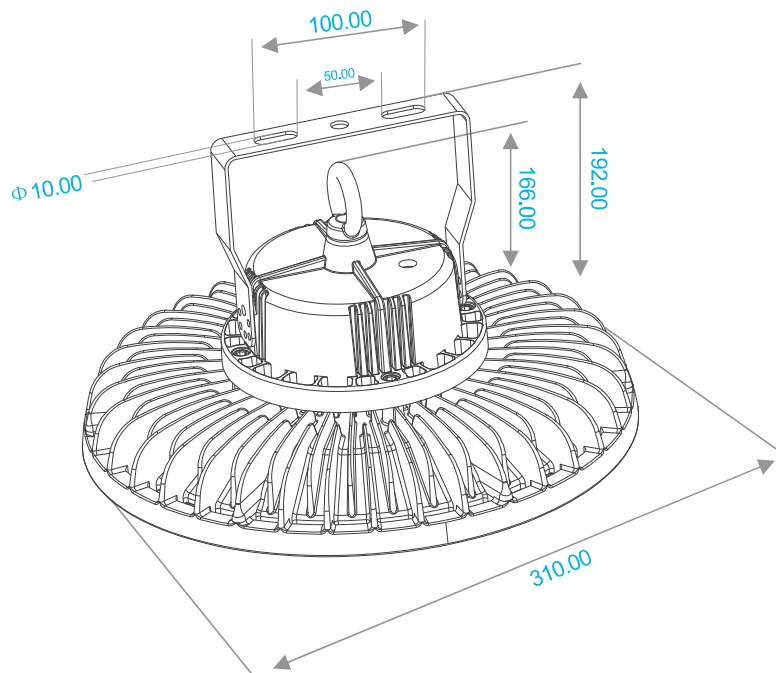


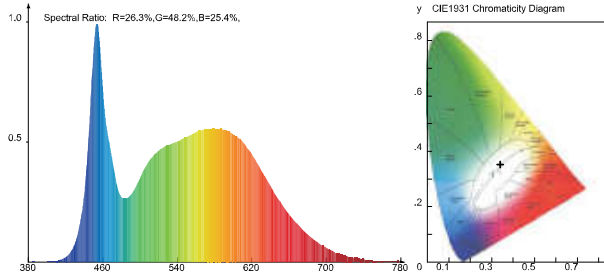
80W UFO HIGH BAY



80W UFO High Bay Datasheet



Power Consumption	80W
LED Qty	196pcs
Luminous Flux	11600LM
Luminous Efficiency	145LM/W
LED	Epistar SMD3030
Driver	BLACKSTEEL
Beam Angle	110°
Cover	Tempered Glass / Frosted Glass
CCT	5000-5500K
Input Voltage	100-240VAC
Driver Efficiency	90%
Power Factor	>0.93
CRI	≥80
Heat Sink Material	ADC12 AL
Insulation Grade	Class I
Working Tem.	-30~+45°C
IP Code	IP65
Light Body Colour	Black / White
N.W.	4KG
Life Span	>50,000 Hours
Warranty	5 Years
Installation	Hanging/ Bracket
Processing	Aluminium die-casting
Surface Treatment	Powder Coated



Chroma Parameters
 Chro. Coor.: x= 0.3400 y =0.3531 u =0.2074 v =0.3231 duv =0.0029
 CCT: 5204K Dominant Wave.:566.1nm Purity:8.0%
 Flux RGB Ratio:R=15.4%,G=81.0%,B=3.5% Peak Wave:453.8nm Half Width:22.4nm

Rending Index:Ra= 84.0
 R1 =82 R2 =90 R3 =95 R4 =83 R5 =83 R6 =86 R7 =86 R8 =67
 R9 =11 R10=76 R11=82 R12=61 R13=85 R14=97 R15=77

Test:U:220.0V I:0.3883A P:80.72W PF:0.9449 Freq:50.00Hz Lamp Flux:11736.2xl lm		
NAME: LED High Bay Light	TYPE:LED	WEIGHT:N/A
SPEC.:N/A	DIM.:	SERIAL No.:N/A
MFR.: SHENZHEN YOUWIN OPTRONICS CO., LTD	SUR.:	Shielding Angle:N/A

DATA OF LAMP		PHOTOMETRIC DATA Eff: 145.39 lm/W			
MODEL	YMHBHB-080	I _{max} (cd)	4293	S/MH (C0/180)	1.28
NOMINAL POWER (W)	80	LOR (%)	100.0	S/MH (C90/270)	1.28
RATED VOLTAGE (V)	220	TOTAL FLUX (lm)	11736	<input checked="" type="checkbox"/> UP, DN (C0-180)	0.1, 49.8
NOMINAL FLUX (lm)	11736.2	CIE CLASS	DIRECT	<input checked="" type="checkbox"/> UP, DN (C180-360)	0.1, 50.0
LAMPS INSIDE	1	<input checked="" type="checkbox"/> up (%)	0.2	CIBSE SHR NOM	1.25
TEST VOLTAGE (V)	220	<input checked="" type="checkbox"/> down (%)	99.8	CIBSE SHR MAX	1.35

