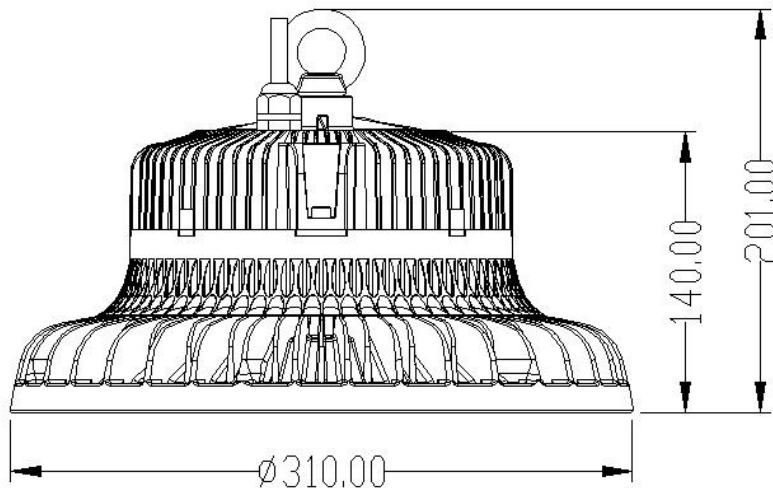


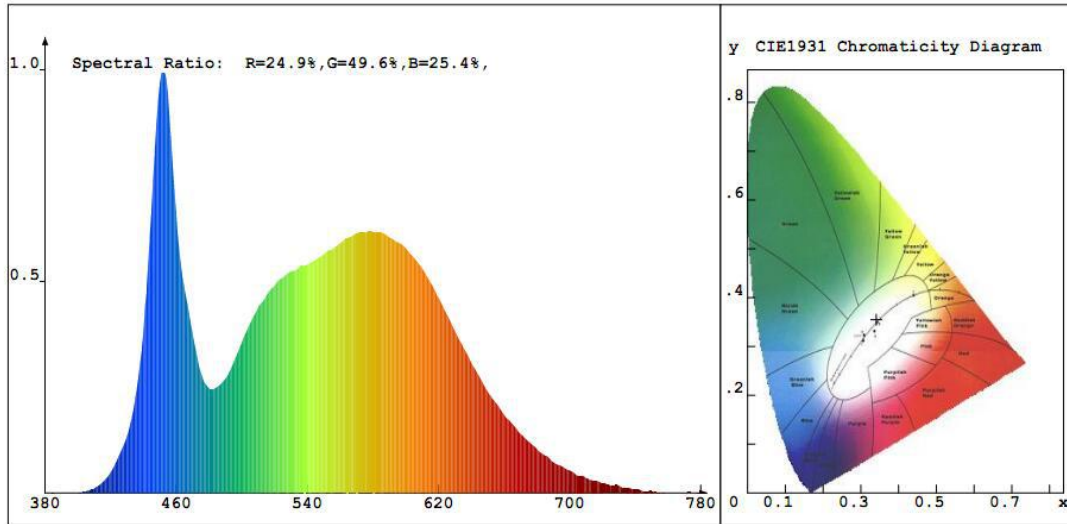
## 2000W UFO HIGH BAY



LM-80



<b>Max. Power</b>	<b>200W</b>
<b>Luminous Flux</b>	<b>27400LM</b>
<b>Luminous Efficiency</b>	<b>135LM/W</b>
<b>Beam Angle</b>	<b>120°</b>
<b>Cover</b>	<b>Tempered Glass</b>
<b>CCT</b>	<b>5000-5500K</b>
<b>LED Chip</b>	<b>Epistar SMD3030</b>
<b>Driver</b>	<b>Mean Well</b>
<b>Input Voltage</b>	<b>90-305VAC</b>
<b>Driver Efficiency</b>	<b>&gt;0.9</b>
<b>Power Factor</b>	<b>&gt;0.97</b>
<b>CRI</b>	<b>Ra≥80</b>
<b>Heat Sink Material</b>	<b>ADC12 AL</b>
<b>Insulation Grade</b>	<b>Class I</b>
<b>Working Tem.</b>	<b>-30~+55°C</b>
<b>IP Code</b>	<b>IP65 for LED PCB part, IP20 for another parts</b>
<b>Light Body Colour</b>	<b>Black</b>
<b>N.W.</b>	<b>5.8KG</b>
<b>Life Span</b>	<b>&gt;60,000 Hours</b>
<b>Warranty</b>	<b>5 Years</b>



**Chroma Parameters**

Chro.Coor.: x=0.3414 y=0.3551 u=0.2076 v=0.3239 duv=0.0032  
 CCT: 5152K Dominant Wave.: 567.0nm Purity: 9.0%  
 Flux RGB Ratio: R=14.9%, G=81.9%, B=3.2% Peak Wave: 452.7nm Half Width: 22.2nm

**Rending Index: Ra= 80.7**

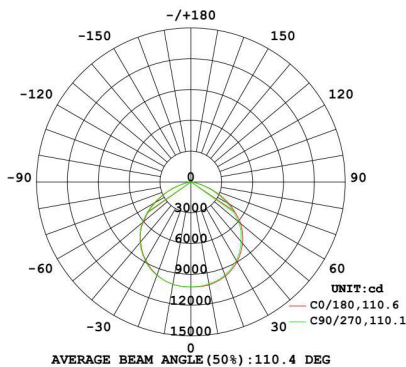
R1 =78 R2 =87 R3 =92 R4 =80 R5 =79 R6 =82 R7 =85 R8 =62  
 R9 =0 R10=69 R11=78 R12=59 R13=80 R14=96 R15=72

**Photo Parameters**

Flux: 27446.5lm Effi.: 135.12lm/W Radiant: 64127.3mW Iv: 0.0mcd

**Ele. Parameters**

Voltage: U=219.90V Current: I=0.9509A  
 Power: P=203.10W Power Factor: PF=0.9711



Height	Eavg, Emax	Angle: 109.98deg	Diameter
1m	3291, 10235lx		285.54cm
2m	822.8, 2559lx		571.08cm
3m	365.7, 1137lx		856.62cm
4m	205.7, 639.7lx		1142.17cm
5m	131.6, 409.4lx		1427.71cm
6m	91.42, 284.3lx		1713.25cm
7m	67.17, 208.9lx		1998.79cm
8m	51.42, 159.9lx		2284.33cm
9m	40.63, 126.4lx		2569.87cm
10m	32.91, 102.4lx		2855.42cm

Note: The Curves indicate the illuminated area and the average illumination when the luminaire is at different distance.