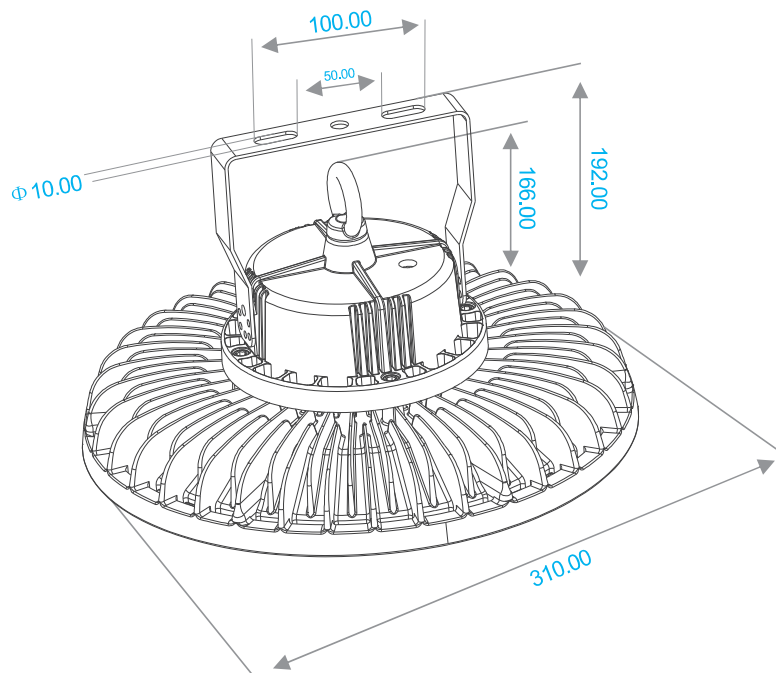


120W UFO HIGH BAY



120W UFO High Bay Datasheet



CB

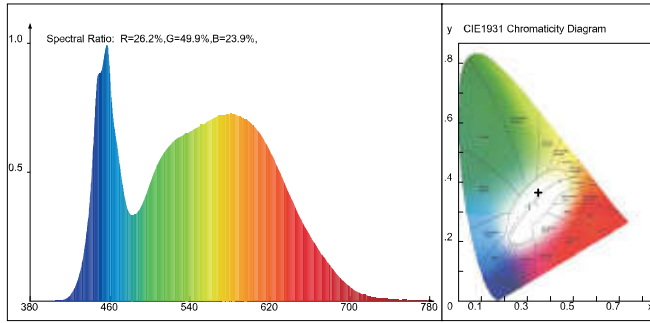
CE

RoHS



LM-80

Power Consumption	120W
LED Qty	224pcs
Luminous Flux	16560LM
Luminous Efficiency	138LM/W
LED	Epistar SMD3030
Driver	BLACKSTEEL
Beam Angle	110°
Cover	Tempered Glass / Frosted Glass
CCT	5000-5500K
Input Voltage	100-240VAC
Driver Efficiency	90%
Power Factor	>0.93
CRI	≥80
Heat Sink Material	ADC12 AL
Insulation Grade	Class I
Working Tem.	-30~+45°C
IP Code	IP65
Light Body Colour	Black / White
N.W.	4KG
Life Span	>50,000 Hours
Warranty	5 Years
Installation	Hanging/ Bracket
Processing	Aluminium die-casting
Surface Treatment	Powder Coated



Chroma Parameters

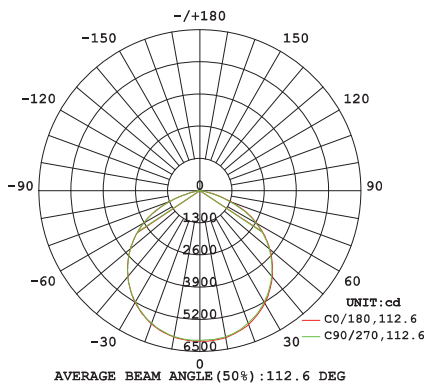
Chro. Coord.: x=0.3462 y=0.3645 u=0.2072 v=0.3273 duv=0.0059
 CCT: 5003K Dominant Wave.:568.0nm Purity:13.3%
 Flux RGB Ratio:R=15.4%,G=81.3%,B=3.3% Peak Wave:456.8nm Half Width:28.9nm

Rending Index:Ra= 82.8

R1 =80 R2 =89 R3 =95 R4 =81 R5 =81 R6 =85 R7 =87 R8 =65
 R9 =2 R10=74 R11=80 R12=61 R13=83 R14=97 R15=74

Test:U:220.0V I:0.5587A P:119.1W PF:0.9688 Freq:50.01Hz Lamp Flux:16525.8x1 lm		
NAME: LED High Bay Light	TYPE:LED	WEIGHT:N/A
SPEC.:N/A	DIM.:	SERIAL No.:N/A
MFR.: SHENZHEN YOUWIN OPTONICS CO., LTD	SUR.:	Shielding Angle:N/A

DATA OF LAMP		PHOTOMETRIC DATA Eff: 138.78 lm/W			
MODEL	YWHBHB-120	Imax (cd)	6084	S/MH (C0/180)	1.27
NOMINAL POWER (W)	120	LOR (%)	100.0	S/MH (C90/270)	1.28
RATED VOLTAGE (V)	220	TOTAL FLUX (lm)	16526	<input checked="" type="checkbox"/> UP, DN (C0-180)	0.1,49.8
NOMINAL FLUX (lm)	16525.8	CIE CLASS	DIRECT	<input checked="" type="checkbox"/> UP, DN (C180-360)	0.1,49.9
LAMPS INSIDE	1	<input checked="" type="checkbox"/> up (%)	0.2	CIBSE SHR NOM	1.25
TEST VOLTAGE (V)	220	<input checked="" type="checkbox"/> down (%)	99.8	CIBSE SHR MAX	1.35



Flux out:13014 lm

Height	Eavg, Emax	Angle:112.28deg	Diameter
1m	1747,6084lx		298.10cm
2m	436.7,1921lx		596.21cm
3m	194.1,676.0lx		894.31cm
4m	109.2,380.3lx		1192.41cm
5m	69.88,243.4lx		1490.51cm
6m	48.55,169.0lx		1788.62cm
7m	35.65,124.2lx		2086.72cm
8m	27.30,95.07lx		2384.82cm
9m	21.57,75.11lx		2682.92cm
10m	17.47,60.84lx		2981.03cm

Note: The Curves indicate the illuminated area and the average illumination when the luminaire is at different distance.