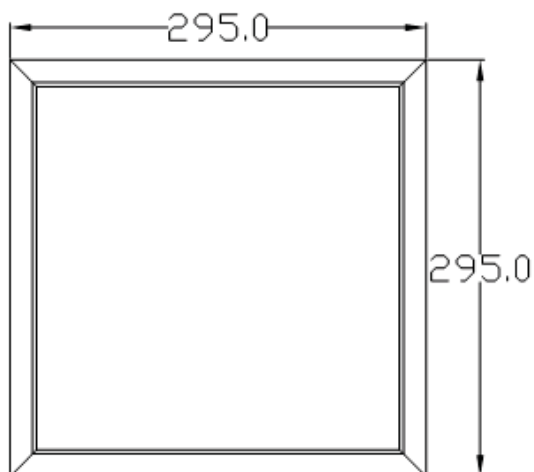


PRODUCT NAME: 36 Watt LED PANEL LIGHT

PRODUCT MODEL: PANEL-300-36W 36Watts



300mm (L) 300mm (W) 12.5mm (H) mm 36W

High CRI>83 Samsung SMD5630 leds

2206lm 80% lumen maintenance at 40000 hours,

2 years warranty under the normal working time

300mm X 300mm panel light (36W)

High energy saving ,LED panel lamp can save 10 times energy more than that of Incandescent fixtures, 2 times of CFL Luminaries at same illumination;Utilization Efficiency of led panel are 80% including SMPS;Typical traditional lights have 60% lighting lost.

Emit light from 2 or 4 sides ,extremely even and soft lighting based on wider light emitting dimension per illuminance compared with traditional fluorescent luminaries;

-Ultra slim and fairly well-distributed lighting;

-Unlike existing luminaries,unlimited design, various sizes are available: 300*300mm,300*600mm ,300*1200mm,600*600mm,600*1200mm.

Longer Life time and energy-saving

-Since LED panel last 70times longer than an Incandescent light source,as a result, cost of maintenance and replacement are reduced.

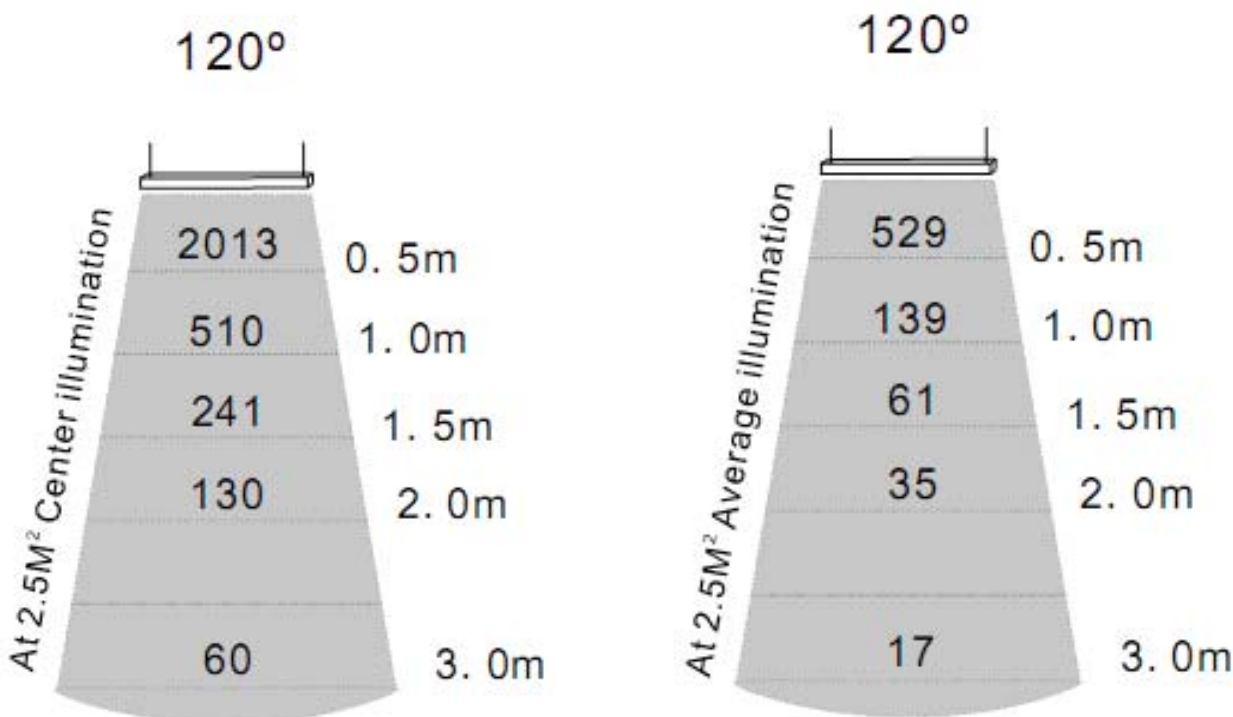
Certificates:

CE,RoHS &SAA ,including Europe test standard EN60968 EN61547 EN55015 EN61000

UV free,unlike halogen bulb,LED spotlight is free from UV light ,this means no skin damage and no fading of furnishings .

Mercury free, free from Mercury ,lead hexavalent Chromium and all other heavy metals considered toxic to be environment and our food chain .

Multi installation ways: fixed on the ceiling with screws; suspending ; recessed into normal ceiling



300mm X 300mm panel light (36W)