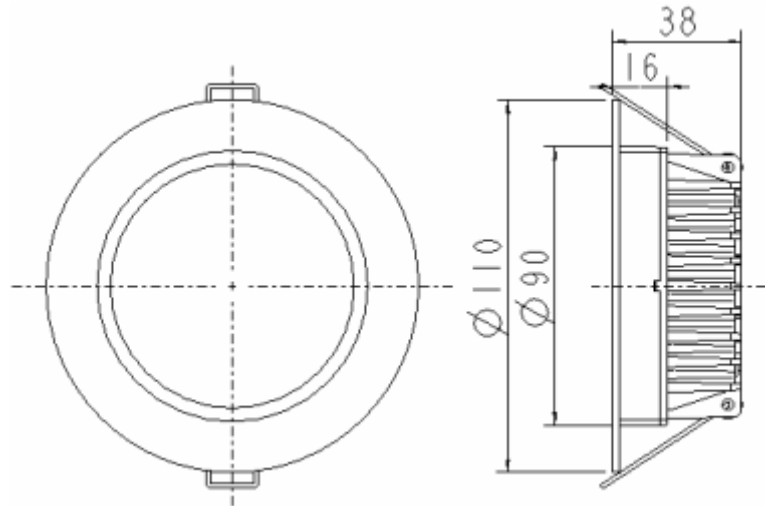


10W-LED SMD Downlight Specification



Product size	Round $\text{C}110 \times 38\text{mm}$	
Cutout on Ceiling	$\text{C}90\text{-}100\text{mm}$	
Input Voltage	Non-dim	AC100-240V 50/60Hz
	DIM	AC200-240V 50Hz
Rated Wattage	10W	
Electrical Classification	II	
Ingress Protection (IP)	IP20	
Operating Temp.	-10? -45?	
Operating Humidity	0-90%	
Storage Temp.	-20? -65?	
Tc	65?	
Light Source (Brand)	Samsung5630	
CRI	Ra > 80	
Lumens	Non-dim	2700K 61.36 lm/w 3000K 60.87 lm/w 4000K 73.54lm/w 5000K 74.5 lm/w
	DIM	2700K 56.22 lm/w 3000K 54.59 lm/w 4000K 66.85lm/w 5000K 62.81 lm/w
Colour Temperature	2700K / 3000K/4000K/5000K/6000K	
Beam angle	90°	
Dimmable	Yes	

DIM		Non-dim	
Input Voltage	AC200-240V	Input Voltage	AC100-240V
Frequency	50Hz	Frequency	50-60HZ
Input rated Voltage	230V	Rated Voltage	AC230
Efficiency	75%	Efficiency	85%
No load wattage	0.8	No load wattage	0.7
Total load Wattage	11.5-12W	Total load Wattage	11.5-12W
PF 值 Power Factor	0.9	PF值 Power Factor	0.9
Rated input current	0.08A	Rated input current	0.15A
No load output Voltage	39V	No load output Voltage	49V
No load output Voltage range	37-42V	No load output Voltage range	46-52V
Full load output Voltage	26-30V	Full load output Voltage	26-30V
Rated output current	350mA	Rated output current	380mA
Output current range	340-360 mA	Output current range	370-390mA
Tolerance	±5%	Tolerance	±5%
Current output tolerance	±5%	Current output tolerance	±5%
Dimming range	8%-100%	Withstand Voltage	AC3750V with 1 minute, electric Leakage 1mA , No flashing, no breakdown
Dimmer	Triacdimmers		
Dielectric Withstand	AC3750V with 1 minute, electric Leakage 1mA , No flashing, no breakdown		