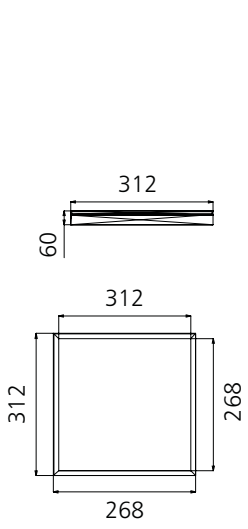
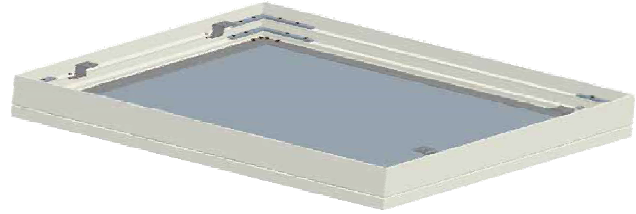
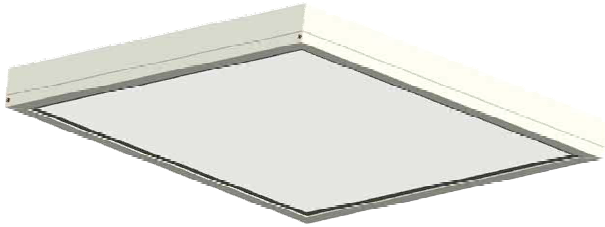
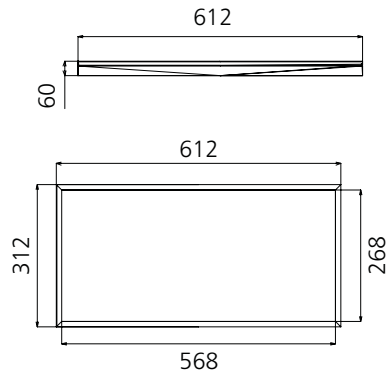


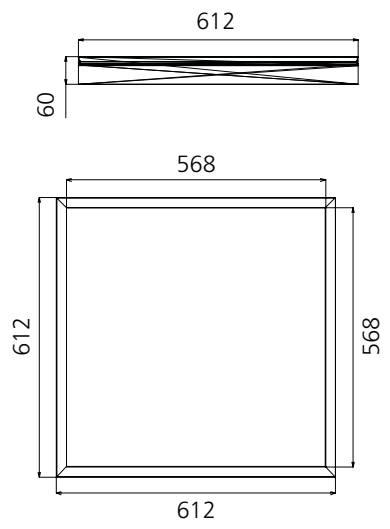
PANEL MOUNTING FRAME DIMENSIONS



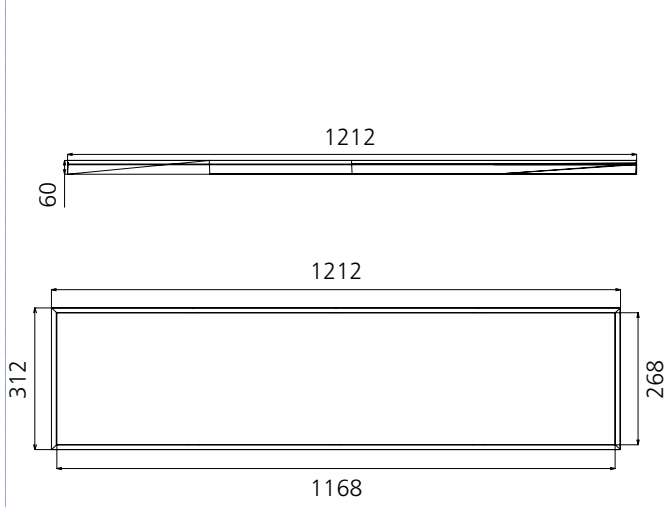
300x300mm



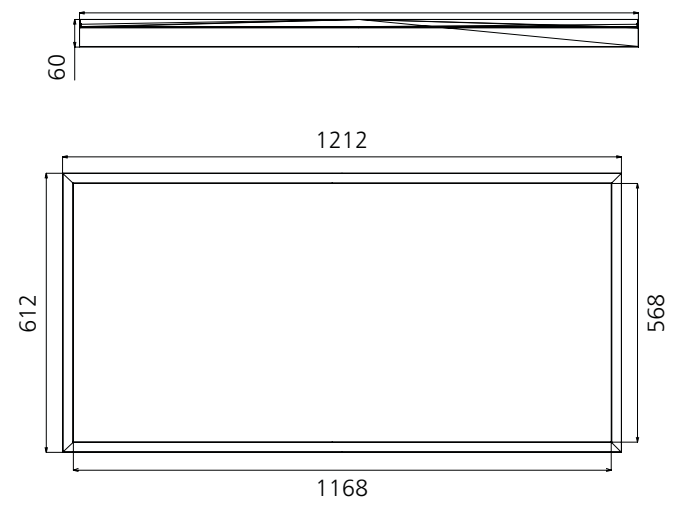
300x600mm



600x600mm



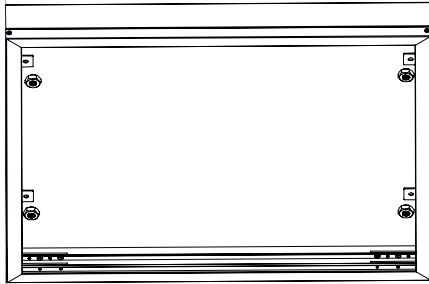
300x1200mm



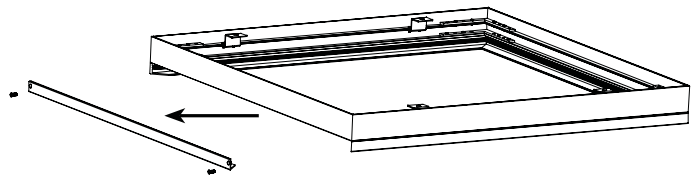
600x1200mm

PANEL MOUNTING KIT

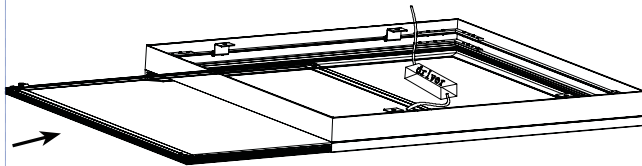
Panel ceiling installation instruction



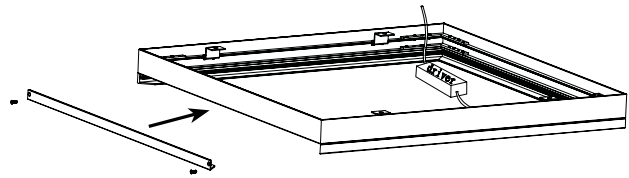
Step one:
Fix the frame on the ceiling
with screw



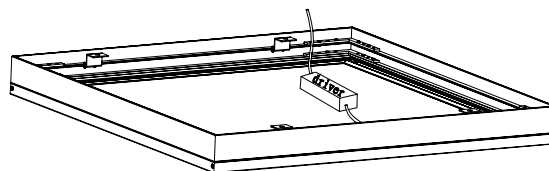
Step two:
Pull down the side frame



Step three:
Push the panel into the frame,
collect the driver



Step four:
Install the side frame



Step five:
Turn on the power switch,
finish the installation