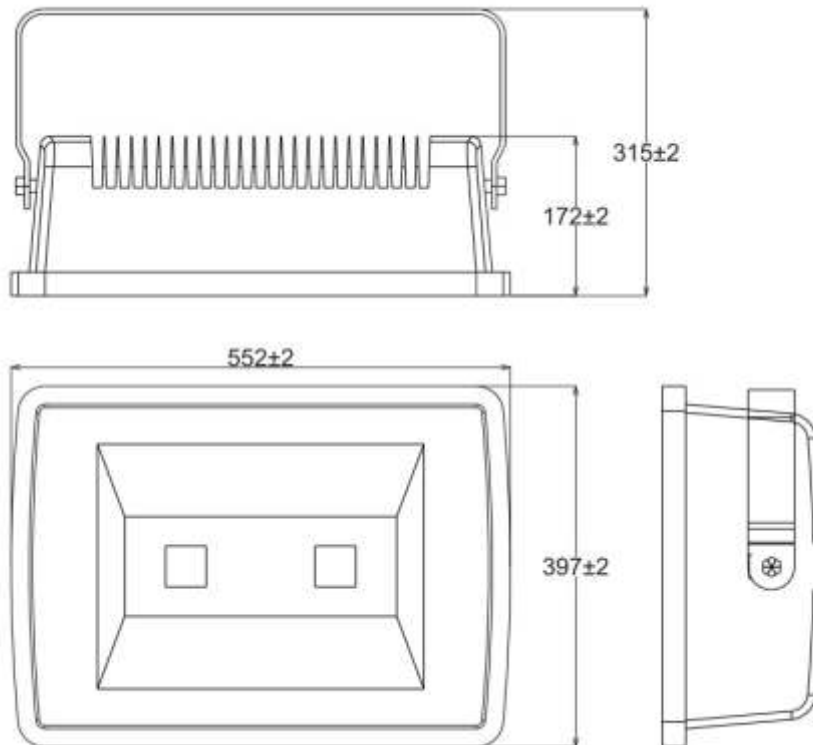


LED LIGHTING AUSTRALIA- 200W-FLOOD LIGHT Specification



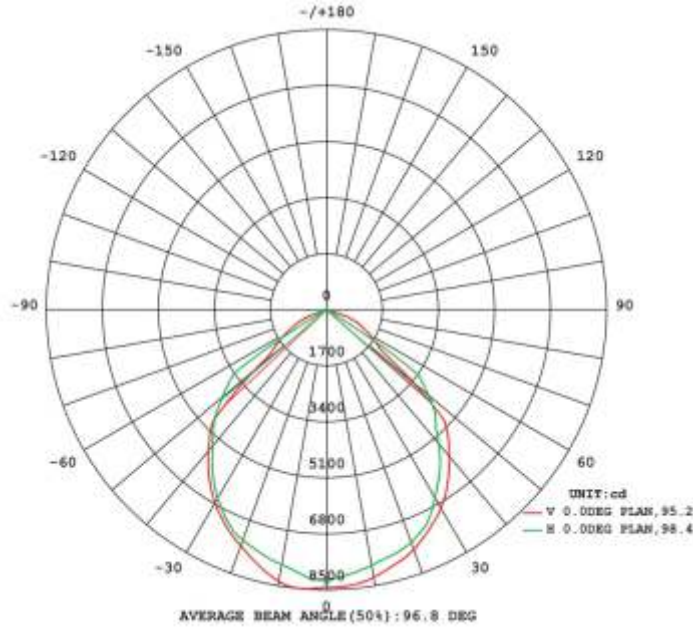
Application :

LED Flood Light is available for Building、 factory、 storage room、 public、 parking lot ,exhibition building、 domestic block、 gymnasium、 gas station、 Square、 advertise、 Lawn、 Super market Wharf 、 Garden and other lighting places.

Main Parameters:

- I Input Voltage: AC 90-295V, 47-63Hz or 10-28V
- I LED QTY: 2x(100pcs x 1W) (multi-chip)
- I Total Power : 218 ±2W
- I Diver Efficiency: > 95%
- I Harmonic distortion (THD) < 10%
- I Power Factor(PF): >0.98
- I LED Efficiency: >90 lm/w
- I Initial LED Lumen: >18100 lm
- I LED Work Voltage:30-34V
- I Related color temperature(CCT):

The curve for intensity distribution :



Illuminance Measurement:

