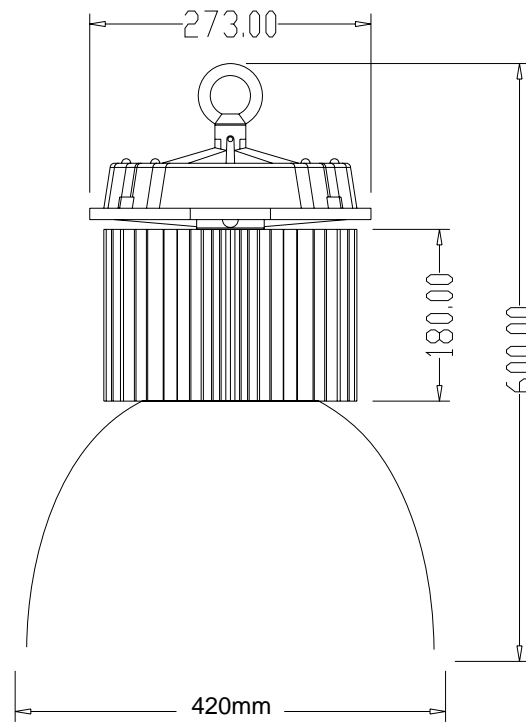


## 200W HIGH BAY



<b>MAIN SPECIFICATIONS (T=26 )</b>		
<b>NUMBER</b>	<b>ITEM</b>	<b>DESCRIPTION</b>
01	Input Voltage	AC85-265V 50~60Hz
02	LED	1 PC
03	Power	200W
04	LED Efficiency	80-100Lm/W
05	Initial Flux	>16700Lm Cool White >16900Lm Natural White >16600Lm Warm White
06	Power factor	>0.9
07	Color Temperature	2700-3300K Warm White 4000-5000K Natural White 5300-7000K Cool White
08	Illuminance Area	See diagram next page
09	Center Illuminance	See diagram next page
10	Beam Angle	80°
11	Light Design	LED+Reflector secondly light distribution
12	Life Time	>50,000 Hours
13	Operating Temperature	-40 to +55
14	Storage Temperature	-25 to +65
15	Connect Wire	Brown ( L ) Blue ( N ) Yellow/Green ( G )
16	Certifications	CE, RoHS SAA
17	Weight	11.0KG
18	IP Code	IP65



## ILLUMINANCE DIAGRAM

### 80 DEGREE BEAM

	Cen Beam LUX	Beam Width	
		v	H
2m	3345.33LUX	2.9m	2.9m
4m	836.33LUX	5.8m	5.8m
6m	371.7 LUX	8.8m	8.7m
8m	209.08LUX	11.7m	11.6m
10m	133.81 LUX	14.6m	14.5m
12m	92.93LUX	17.5m	17.4m

Vert Sprad: Horiz Spread:

### 120 DEGREE BEAM

	Cen Beam LUX	Beam Width	
		v	H
2m	2217.98 LUX	4.1 m	4.1m
4m	554.49LUX	8.2m	8.2m
6m	246.44 LUX	12.3m	12.3 m
8m	138.62 LUX	16.4m	16.4m
10m	88.72LUX	20.5m	20.5m
12m	61.61LUX	24.6m	24.6m

Vert Sprad: Horiz Spread: