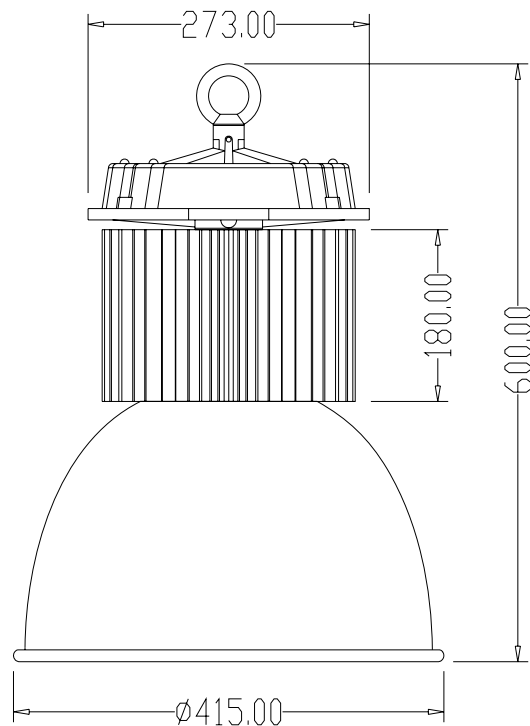


150W HIGH BAY



<u>MAIN SPECIFICATIONS (T=26)</u>		
NUMBER	ITEM	DESCRIPTION
01	Input Voltage	AC85-265V 50~60Hz
02	LED	1 PC
03	Power	150W
04	LED Efficiency	80-100Lm/W
05	Initial Flux	>12500Lm Cool White >12700Lm Natural White >12400Lm Warm White
06	Power factor	>0.9
07	Color Temperature	2700-3300K Warm White 4000-5000K Natural White 5300-7000K Cool White
08	Illuminance Area	See diagram next page
09	Center Illuminance	See diagram next page
10	Beam Angle	80°
11	Light Design	LED+Reflector secondly light distribution
12	Life Time	>50,000 Hours
13	Operating Temperature	-40 to +55
14	Storage Temperature	-25 to +65
15	Connect Wire	Brown (L) Blue (N) Yellow/Green (G)
16	Certifications	CE, RoHS SAA
17	Weight	9.0KG
18	IP Code	IP65



Illuminance Diagram

80 DEGREE BEAM

	Cen Beam LUX	Beam Width	
		v	H
2m	2745.11LUX	2.9m	2.9m
4m	686.28LUX	5.8m	5.8m
6m	305.01 LUX	8.7m	8.7m
8m	171.57LUX	11.7m	11.6m
10m	109.80 LUX	14.6m	14.5m
12m	76.25LUX	17.5m	17.4m

Vert Sprad: Horiz Spread:

120 DEGREE BEAM

	Cen Beam LUX	Beam Width	
		v	H
2m	1783.36 LUX	4.3 m	4.3m
4m	448.34LUX	8.6 m	8.6m
6m	199.26 LUX	12.8m	12.8 m
8m	112.08 LUX	17.1m	17.1m
10m	71.73LUX	21.4m	21.4m
12m	49.62LUX	25.7m	25.7m

Vert Sprad: Horiz Spread: